



# CM 600

THERMAL INKJET PRINTER

**CYKLOP**<sup>®</sup>  
GLOBAL PACKAGING SOLUTIONS

STRAPPING  
WRAPPING  
CODING  
TAPING

The thermal inkjet printer Cyklop CM 600 is operated and programmed via a high-resolution touchscreen with a 7" screen diagonal. The screen is designed according to the "less is more" principle and enables important information such as printer status, print image and fill level to be quickly identified at a glance.

**Print heads**

The print heads are connected to the controller with 1.5 m (5 m optional) long cables. In connection with the supplied mounting elements and the innovative in 30° steps adjustable print head holder, maximum flexibility is enabled when installing in production systems. Two print heads can be connected to the controller and enable print images up to 25.4 mm high.

**Print content**

Print content such as texts, date formats, times, logos or barcodes can be entered easily and conveniently via the touchscreen. Resolutions of up to 600 dpi and format lengths of up to 3,000 mm allow almost unlimited printing options.

**Ink**

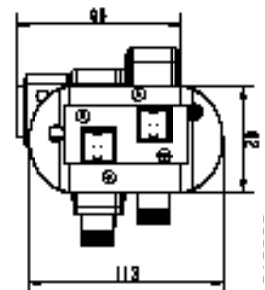
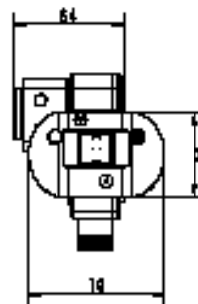
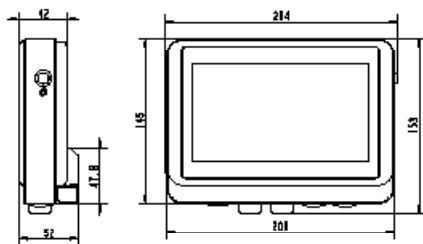
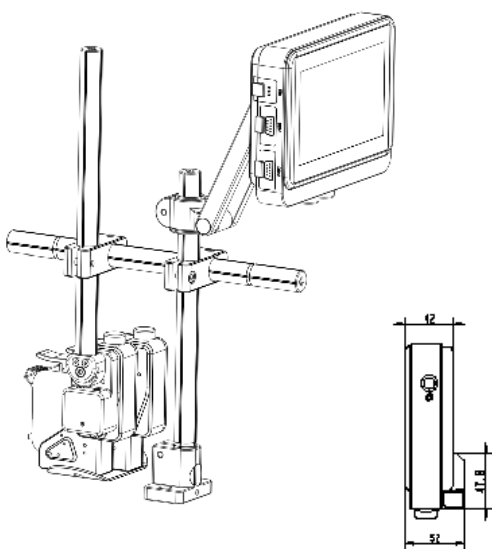
With our in-house developed inks, the CM 600 stands for very high quality prints on almost all materials and surfaces. The cartridges are automatically recognized with their fill level and type and can be changed during printing.

**Low cost**

The cartridge concept enables low operating costs without maintenance or repairs and enables smooth operation with high availability at minimal costs.

- ✓ 7" COLOR TOUCH SCREEN
- ✓ AUTOMATIC "STAY SHARP"
- ✓ CARTRIDGE PRINT MANAGEMENT
- ✓ SMART PRINTHEAD PROFIL
- ✓ WITH INNOVATIVE HEAD ANGLE ADJUSTMENT
- ✓ REMOTE NETWORK
- ✓ DATA PRINTING
- ✓ ETHERNET/USB/RS232
- ✓ FIBER OPTIC PRODUCT SENSOR
- ✓ ANTI SHOCK BRACKET

Technical Data	
Print technology	HP TIJ 2.5
Print parameters	Selectable 150, 200, 300, 600 dpi
Print head mounting	Auto head 10mm anti shock with 30 deg incremental quick rotational print head mounting. Side on and top down printing.
Print distance	1mm optimal, 5mm maximum
Printing speed	Up to 228 m/min, 76 m/min at 300dpi
Print Colors	Black water based, Black, Red and Blue solvent based
Printing options	Configurable time/date codes, counters, shift code, graphics / Logo, external data, symbol sets
Sensor	External fiber optic sensor with head mounting bracket
Languages	English, German, ...
Power supply	AC 100 - 240V, 50/60Hz, 60W, 12 VDC, 5 A
IP Rating	IP54 Controller



Cyklop UK Limited  
 Unit 2, Generation Business Park  
 Barford Road  
 St. Neots  
 Cambridgeshire  
 PE19 6YQ

+44 1480 216777  
[www.cyklop.co.uk](http://www.cyklop.co.uk)  
[info@cyklop.co.uk](mailto:info@cyklop.co.uk)

