

Jumbo dispenser



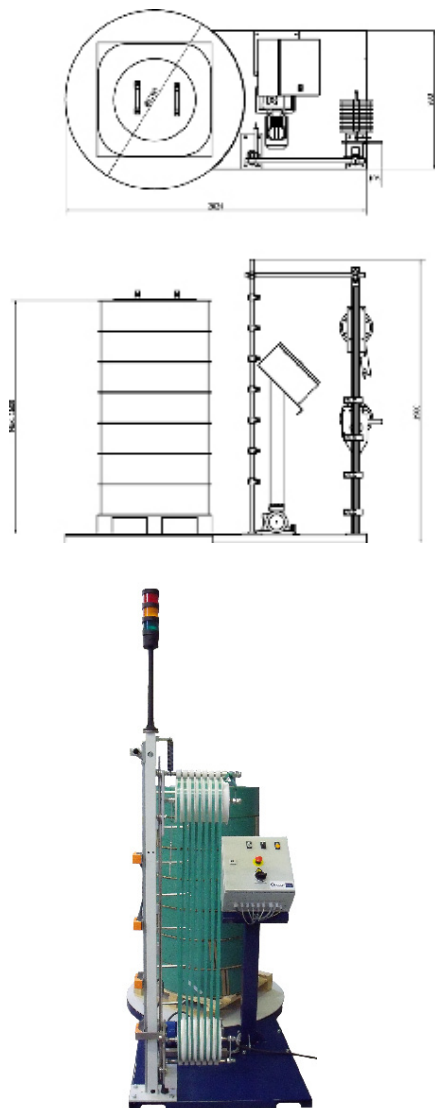
Jumbo dispenser

The jumbo dispenser is a dispenser which can be used for extreme big coils (jumbo coils) PETP- and PP-strap. This dispenser has the main advantage that almost no handling is used to exchange a coil. Jumbo can have a weight starting from 80 kg, far above the allowed weight of manual handling products. The pallet with coils can be placed on the turn-table with a vork lift truck. If needed, a ramp can also be delivered. As soon the upper coil is empty, it can be removed and the next coil can be used. Jumbo coils allow you to work for a long time with one coil without the needed exchanging of the coils. Your advantage is mainly savings in time and productions stops.

Technical data:

Turntable:	8 mm steelplate
Palletload:	L x W max. 850 x 850 mm (diameter 1.200 mm), loads bigger than the turntable may not be placed
Palletheight:	1.600 mm
Palletweight:	max. 1.500 kg (pallet + max. 7 jumbocoils)
Strapping material:	PETP 12, 16 en 19 mm and PP
Power supply:	230 V, 1 phase, 50 Hz + Zero, 0,5 kW
Controller:	Siemens PLC
Insulation class:	IP 54
Color:	RAL 5003

Layout:



Subject to modification.

Cyklop Western Europe
Postbus 551
8000 AN Zwolle
Benjamin Franklinstraat 5
8013 NC Zwolle The Netherlands

Tel.: +31 (0)38 - 467 58 00
Fax: +31 (0)38 - 467 58 39
homepage: www.cyklop.nl
e-mail: info@cyklop.nl

CYKLOP
INTERNATIONAL

THE
STRAPPING
COMPANY

Version 05/2009